

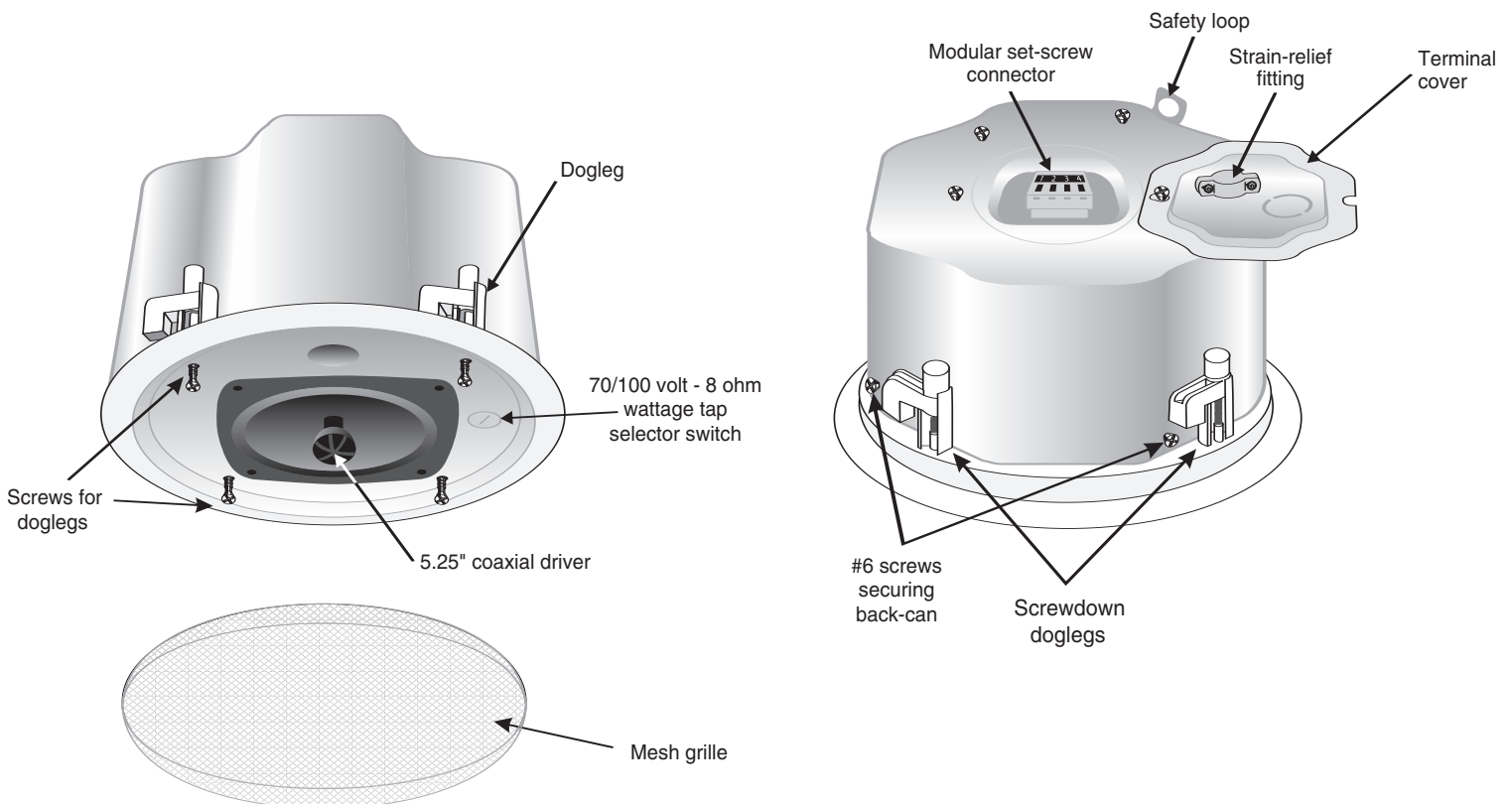
Solution Series

5.0 Ceiling Speaker

Thank you for selecting this Posh high-performance speaker. Posh has gained an enviable track record providing professionals with audiophile-quality speakers for commercial and residential installations.



Product feature identification



NOTE: UL 1480 and UL 2043 designated for installation in dry indoor locations 0° - 50° C (32° - 122° F) operating range.

TOOLS NEEDED

These instructions are for installing the Posh 6.0 Ceiling Speaker into conventional gypsum drywall “wallboard” or drop-tile ceilings. The process is extremely easy and requires a minimum of tools.

PENCIL for marking around template

HOLE SAW for cutting speaker holes

WIRE STRIPPER for preparing speaker wires

PHILLIPS-TYPE SCREWDRIVER

SMALL SLOTTED SCREWDRIVER

“STUD FINDER” (optional)

Fast-track “express” instructions

We urge you to read this Installation Guide carefully. However, if you’re an experienced commercial installer or just impatient, here’s the short version:

1. Select the speaker location, checking for the position of ceiling joists and electrical and plumbing conduit locations.
2. Mark cut-out hole outlines with the included cardboard template.
3. Cut hole in the ceiling.
4. Run speaker wire and connect to input terminals.
5. If required, wire safety loop to building structure.
6. Install speaker assembly into cut-out hole and secure by tightening dogleg screws. **BE SURE NOT TO TIGHTEN TOO FAST OR TOO TIGHT!**
7. Press on the speaker mesh grille.

Step 1

Use the supplied template to scribe and then cut the hole for the speaker. Pull the wire through the cutout hole.

IMPORTANT NOTE: To insure compliance with UL 2043, do not exceed cut out diameter of supplied template.

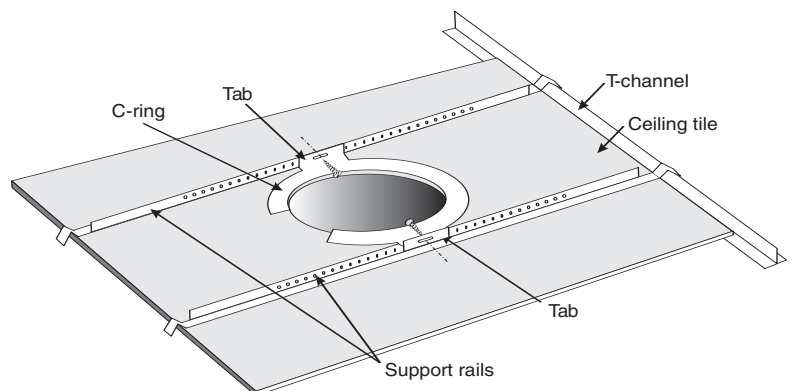
Step 2

A. Sheetrock ceiling

Insert the C-ring through the hole so that the two tabs face away from the hole.

B. Drop-tile ceiling

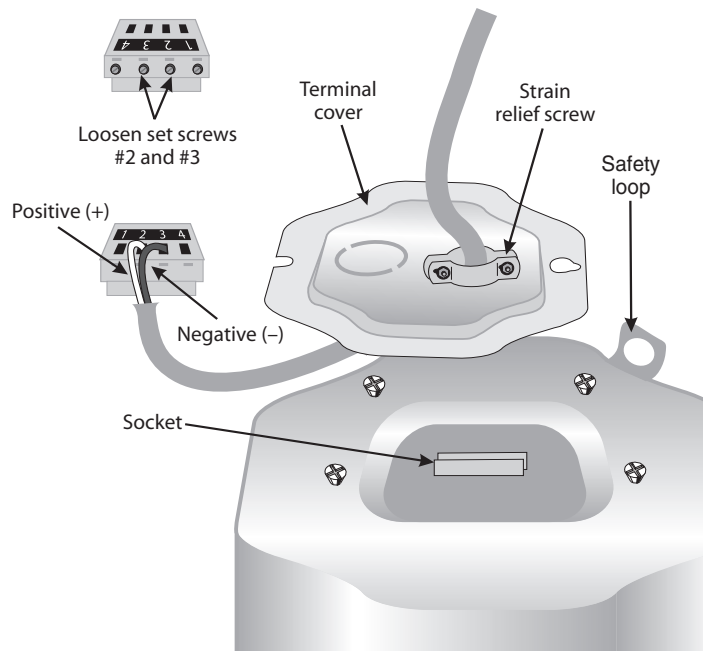
Set support rails in place, making sure the rail flanges overhang the T-channel grids. Lift C-ring up through hole with the side tabs facing up. Make sure the two side tabs fit over the support rails. Use tapping screws to secure the C-ring to the support rails.



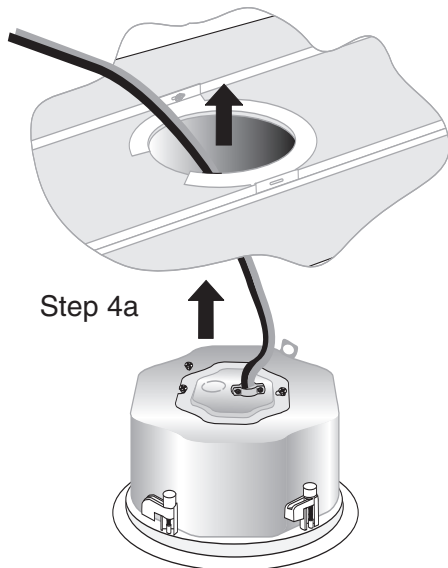
NOTE: If the rough-in bracket is used, it is not necessary to use the C-ring or support rails as shown in Step 2. Instead, in Step 5 below, use the doglegs to attach the speaker to the rough-in bracket instead of the C-ring.

Step 3

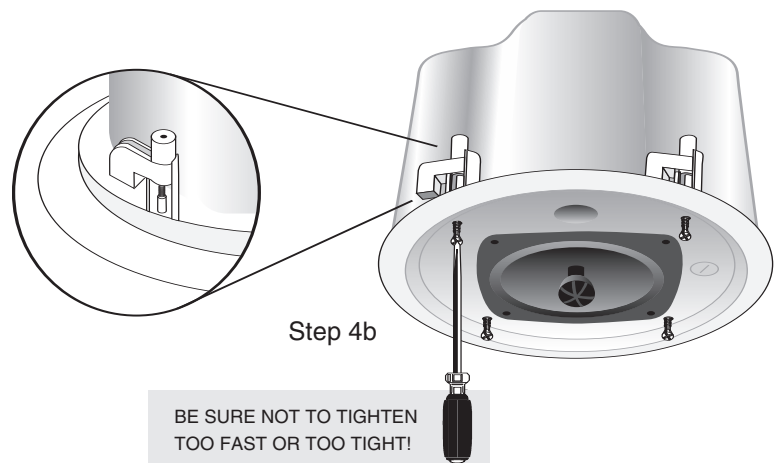
Using a Phillips screwdriver, loosen the two screws holding the terminal cover, and slide off. Strip 3/16" off the end of the wire insulation. Loosen the strain relief fitting and slide the speaker wire through the fitting. **Remove the grey modular set screw connector.** Loosen set screws #2 and #3. Insert the positive, (+), (red or white) wire into the #2 slot and tighten the set screw. Next, feed the negative, (-), (black or green) wire into the #3 slot and tighten. When daisy chaining, insert the positive through loop into the #1 slot and tighten. Insert the negative through loop into the #4 slot and tighten. Make sure all leads are secure. Push the modular set screw connector firmly into the socket located on the back of the speaker. Next, slide the cover plate down and tighten the strain relief fitting, using the two small screws on each side of the fitting. Replace the terminal cover and tighten the two screws that hold it in place. The safety loop is for securing the loudspeaker to the building structure with wire cabling. This will provide a secondary support where required by code or in seismic areas.



Step 4

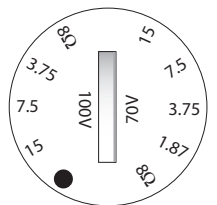


- (a)** Insert and center the speaker into the ceiling opening. Make sure all four doglegs rest on the C-ring.
(b) Tighten down the four doglegs by turning the screws clockwise.



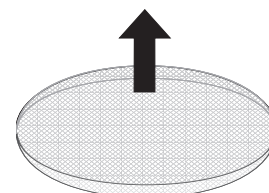
Step 5

Using a coin, screwdriver, or enclosed grille puller, adjust the 70/100 volt - 8 ohm tap selector switch to the desired setting. The selector switch is located next to the driver and is clearly marked. **NOTE: For 100 volt applications DO NOT USE BLACK DOT! Ensure speakers and amplifier line outputs match either 70/100 volt or 8 ohm.**



Step 6

Insert the powder coated aluminum grille. The grille will friction mount into place. Make sure the grille is flush with the speaker bezel.



Solution Series: 5.0 Ceiling Speaker Limited Warranty

WARRANTY PERIOD: 5 (five) years

EXTENDED WARRANTY PERIOD: 5 (five) additional years when purchased through ADI

WHAT IS COVERED. This Warranty covers defects in materials and workmanship only. This Limited Warranty does not extend to: (1) cosmetic damage; (2) damage caused by shipment; (3) damage caused by accident, abuse, misuse, or failure to install the speakers in a manner as set forth in this Installation Guide; (4) failure resulting from use contrary to that set forth in this Installation Guide.

WHAT YOU MUST DO TO OBTAIN WARRANTY SERVICE. In the event that your speakers require service, call Posh Speaker Systems toll-free at 800-841-8501, Monday through Friday 8am to 4:30pm Pacific Time, or fax us at 206-842-0494. You will receive instructions on how to return your speakers for warranty service. Initial shipping costs may not be paid by Posh Speaker Systems at our discretion. However, return shipping will be prepaid if repairs are covered by the scope of this Warranty. **Do not send speakers to Posh for repair unless you have first contacted us via telephone or fax.** Posh Speaker Systems shipping address: 7861 NE Day Road West, Bainbridge Island, WA 98110.

LIMITATIONS OF IMPLIED WARRANTIES.

ALL IMPLIED WARRANTIES FOR MERCHANTABILITY AND FITNESS FOR A PARTICULAR PURPOSE ARE LIMITED IN DURATION TO THE WARRANTY PERIOD UNLESS OTHERWISE PROVIDED BY STATE LAW.

EXCLUSION OF CERTAIN DAMAGES. IN NO EVENT SHALL POSH SPEAKER SYSTEMS, BE LIABLE FOR PROPERTY OR ANY OTHER INCIDENTAL OR CONSEQUENTIAL DAMAGES WHICH MAY RESULT FROM THE FAILURE OF THIS PRODUCT. IF YOUR POSH SPEAKERS PROVE DEFECTIVE IN MATERIAL OR WORKMANSHIP, THE LIABILITY OF POSH SHALL BE LIMITED TO THE REPAIR OR REPLACEMENT, AT THE OPTION OF POSH, OF ANY DEFECTIVE PART.

STATE LAWS MAY DIFFER. SOME STATES DO NOT ALLOW LIMITATION ON HOW LONG AN IMPLIED WARRANTY MAY LAST, AND/OR DO NOT ALLOW THE EXCLUSION OR LIMITATION OF INCIDENTAL OR CONSEQUENTIAL DAMAGES, OR DO NOT ALLOW CERTAIN LIMITATIONS SET FORTH IN THIS WARRANTY, SO THE ABOVE LIMITATIONS MAY NOT APPLY. THIS WARRANTY GIVES YOU SPECIFIC LEGAL RIGHTS, AND YOU MAY HAVE OTHER RIGHTS WHICH VARY FROM STATE TO STATE.

OTHER IMPORTANT PROVISIONS. Posh Speaker Systems, reserves the right to make changes in design and improvements in its products without the responsibility of installing such changes on products previously sold by Posh.

Specifications: 5.0 Ceiling Speaker

FREQUENCY RESPONSE	60 Hz - 20 kHz
POWER HANDLING	120 watts RMS
SPL	87 db 1 watt / 1 meter
70 volt TRANSFORMER 15w	Taps 1.87, 3.75, 7.5, 15 watts
100 volt TRANSFORMER 15w	Taps 3.75, 7.5, 15 watts
CROSSOVER FREQUENCY	3 K
LOW FREQUENCY DRIVER	5 1/4 inch polypropylene coated paper cone, with butyl rubber surround
HI FREQUENCY DRIVER	3/4 inch swivel soft dome
NET WEIGHT	6.9 lbs

This product is Listed by Underwriters Laboratories Inc. Representative samples of this product have been evaluated by UL and meet applicable safety standards.

Voltage Input 70.7v or 100v, Selectable Taps

UL 2043 Fire Test for Heat and Visible Smoke Release for Discrete Products and Thier Accessories Installed in Air-Handling Spaces, **NFPA-70** National Electrical Code Article 300-22(C) and **NFPA 90A** Installation of Air Conditioning and Ventilating Systems, Section 2-3.10.1 (a), Exception 3. **UL 1480** Speakers for institutional and industrial non-emergency sound reinforcement and reproduction in accordance with NFPA 70. For installation instructions, refer to Solution Series 5.0 installation guide Revision A, dated 2/16/06.

SUITABLE FOR USE IN AIR HANDLING SPACES



The preceding warranty is exclusive to the United States, its territories and possessions. Please see your authorized Posh dealer or distributor for the correct warranty information in your area or locale.

© 2004 Posh Speaker Systems. All rights reserved.
Printed in China.

posh Speaker Systems
Sound Solutions for the Real World

7861 N. E. Day Road West, Bainbridge Island, WA 98110
Phone: 800-841-8501 • Fax 206-842-0494
www.poshspeakers.com