

Global Ceiling Speaker

The Global Ceiling Speaker is packed two per carton. The contents of each carton is shown at the right. The speaker assembly is fully assembled and ready for installation. Installation can be easily accomplished with a few simple steps.

Step 1

Using supplied template, cut a 7-5/8 inch (19.5 cm.) round hole in the ceiling where the speaker will be installed.

Step 2

Attach the two support rails to opposite sides of each can using the quick clips provided. The quick clips will hold the support rails to the backcan while the assembly is positioned over the ceiling hole. (See Figure 1)

Step 3

Set the speaker assembly and the support rails in place with the speaker baffle ring centered in the ceiling hole and secure the assembly in place in compliance with applicable national, regional or local codes. (See Figure 2)

Step 4

Remove the cover to the "J-box" and find the two speaker wires (+ = red, - = black). Connect these two wires, through the knockout, to the audio system wiring run and replace the "J-box" cover. The wiring connections must be made in accordance with all applicable national, regional, or local codes. (See Figure 2)

Step 5

Select the appropriate wattage tap by turning the selector switch, on the front of the baffle board, with a screwdriver or coin.

70V taps: .625, 1.25, 2.5, 5.0, 10.0
100V taps: 1.25, 2.5, 5.0, 10.0

Step 6

Carefully install the speaker grille. The grille pins will push into the friction fittings in the baffle board. (See Figure 3)

Contents of carton

- (2) speaker assemblies (speaker, baffle, and backcan)
- (2) speaker grilles
- (4) support rails (2 per speaker assembly)
- (1) paint shield
- (1) cardboard template

Fig. 1

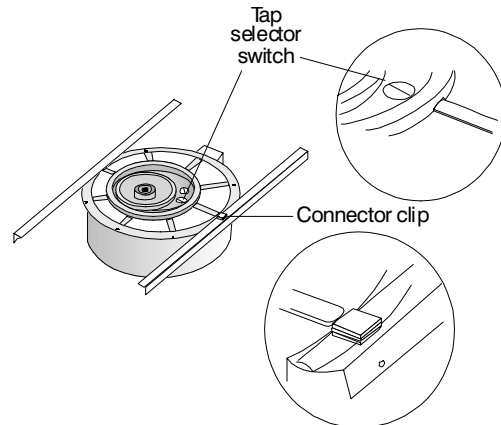


Fig. 2

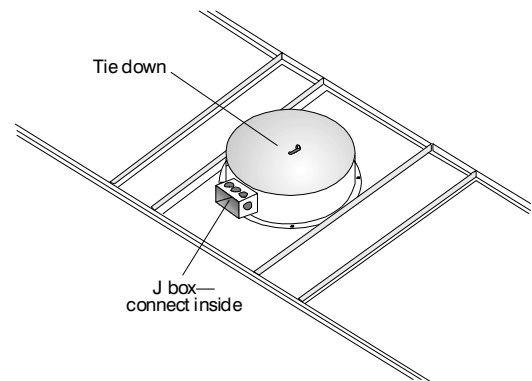


Fig. 3

