

810 Series Speakers

Posh 810 Series speakers are packed two per carton. The contents of each carton is shown at the right. The speakers are fully assembled and ready for installation. Installation can be easily accomplished with a few simple steps.

Step 1

Using the supplied template, cut a 10.0 inch (25.4 cm) round hole in the ceiling tile where the speaker will be installed.

Step 2

Mount the supplied support rails to opposing sides of the back can using two #10 sheet metal screws. (See Figure 1)

Step 3

With the support rails mounted to the can, center the speaker mud ring over the hole. Set it in place into the ceiling grid. The support rails may be safety wired, if required. (See Figure 2)

Step 4

Connect the appropriate wattage tap and ground wire (refer to label next to cable clamp) as needed for your installation. Wiring connections must be made in accordance with all applicable national, regional, or local codes. Clip unused wires. (See Figure 2)

70V taps: 1.25, 2.5, 5.0, 7.5, 15.0

100V taps: 2.5, 5.0, 10.0, 15.0

NOTE: J-boxes must be attached to 810 series speakers at the factory.

Step 5

Carefully fit and gently tap the grill pins into the four friction fittings on the mud ring. (See Figure 3)

Contents of carton

- (2) speaker assemblies (speaker, baffle, and backcan)
- (2) speaker grilles
- (4) support rails (2 per speaker assembly)
- (1) cardboard template

Fig. 1

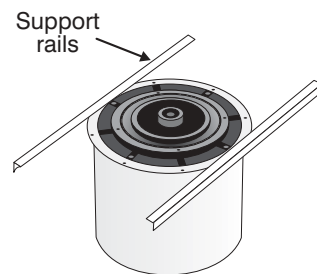


Fig. 2

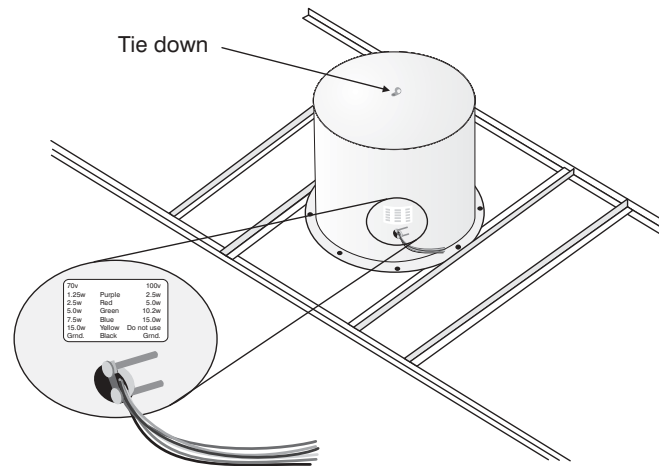


Fig. 3

