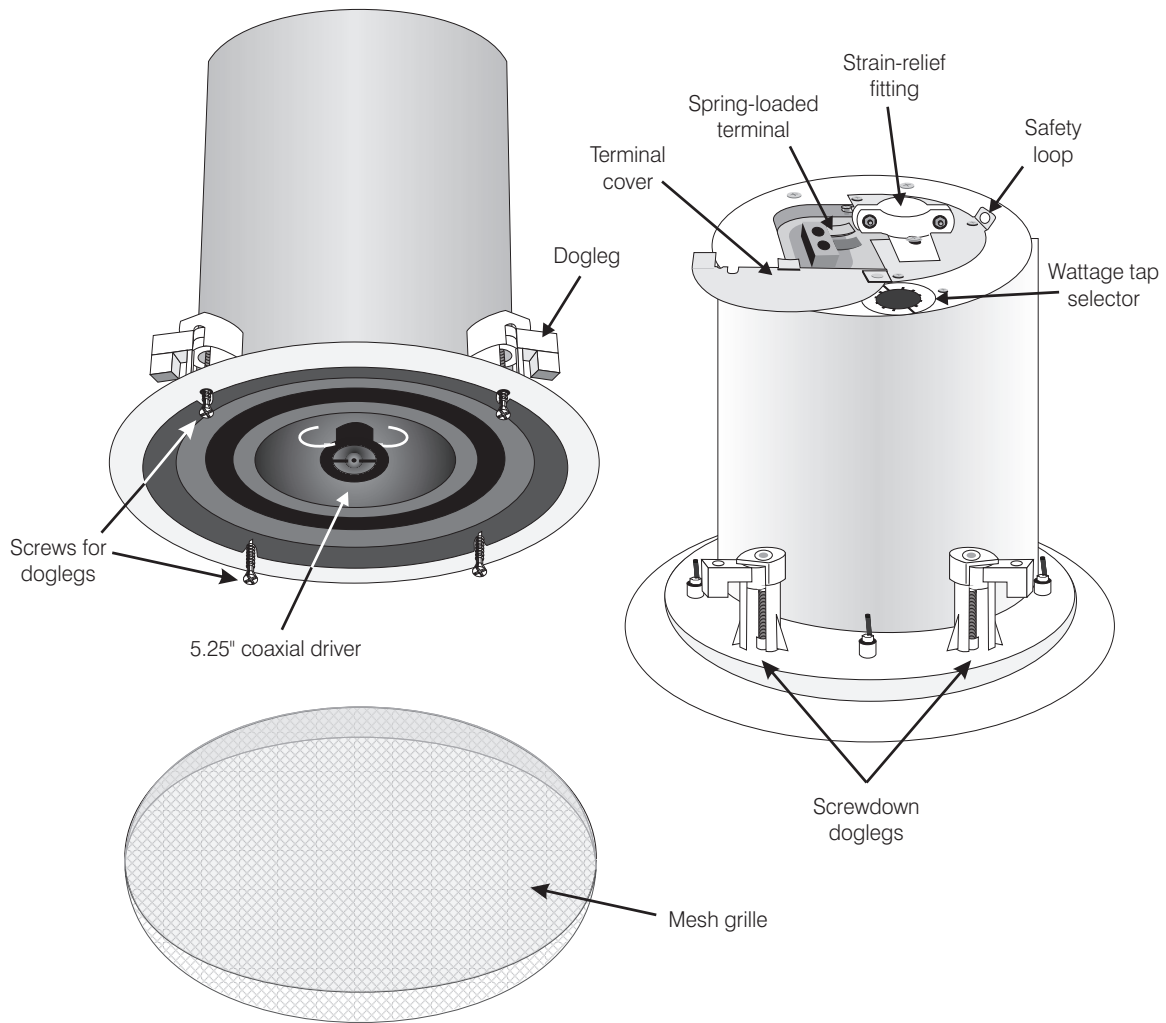


5.25 Retro Ceiling Speaker

Thank you for selecting this Posh high-performance speaker. Posh has gained an enviable track record providing professionals with audiophile-quality speakers for commercial installations.

Product feature identification



TOOLS NEEDED

These instructions are for installing the Posh 5.25 Retro Ceiling Speaker into conventional gypsum drywall “wallboard” or drop-tile ceilings. The process is extremely easy and requires a minimum of tools.

PENCIL for marking around template

HOLE SAW for cutting speaker holes

WIRE STRIPPER for preparing speaker wires

PHILLIPS-TYPE SCREWDRIVER

“STUD FINDER” (optional)

Fast-track “express” instructions

We urge you to read this Installation Guide carefully. However, if you’re an experienced commercial installer or just impatient, here’s the short version:

1. Select the speaker location, checking for the position of ceiling joists and the location of electrical and plumbing conduits.
2. Mark cut-out hole outlines with the included cardboard template.
3. Cut hole in the ceiling.
4. Run speaker wire and connect to input terminals.
5. If required, wire safety loop to building structure.
6. Install speaker assembly into cut-out hole and secure by tightening dogleg screws. **BE SURE NOT TO TIGHTEN TOO FAST OR TOO TIGHT!**
7. Press on the speaker grille cover.

Step 1

Use the supplied template to scribe and then cut the hole for the speaker. Pull the wire through the cutout hole.

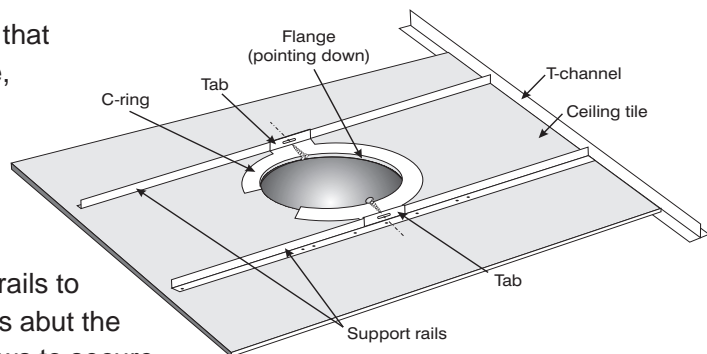
Step 2

A. Sheetrock ceiling

Insert the C-ring through the hole so that the two tabs face away from the hole, and the flange on the C-ring points down through the hole in the sheetrock.

B. Drop-tile ceiling

After Step A, attach the two support rails to the C-ring, and adjust so that the rails abut the T-channel grid. Use sheetmetal screws to secure the support rails to the C-ring.

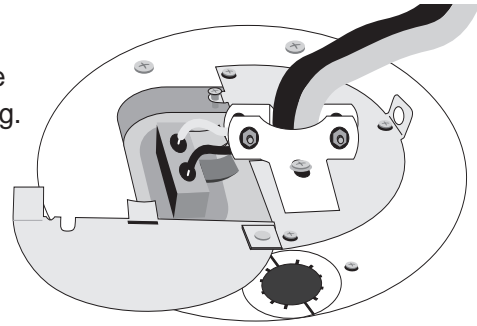


NOTE: If the rough-in bracket is used, it is not necessary to use the C-ring or support rails as shown in Step 2. Instead, in Step 5 below, use the doglegs to attach the speaker to the rough-in bracket instead of the C-ring.

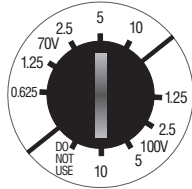
Step 3

Using a Phillips screwdriver, loosen the screw holding the terminal cover, and slide open. Strip 3/8" off the end of the wire insulation. Slide the wire through the strain relief fitting. Attach the speaker wire to the spring-loaded clips located at the top of the speaker can. Make sure positive (red) and negative (black) are correct. When daisy-chaining, insert two wires into positive and two wires into negative. Tighten down the strain-relief fitting using the two small screws. Slide the terminal cover closed, and tighten the screw.

The safety loop is for securing the loudspeaker to the building structure with wire cabling. This will provide a secondary support where required by code or in seismic areas.

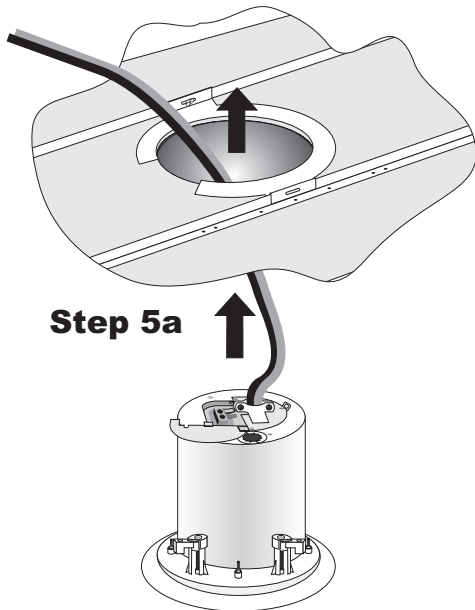


Step 4

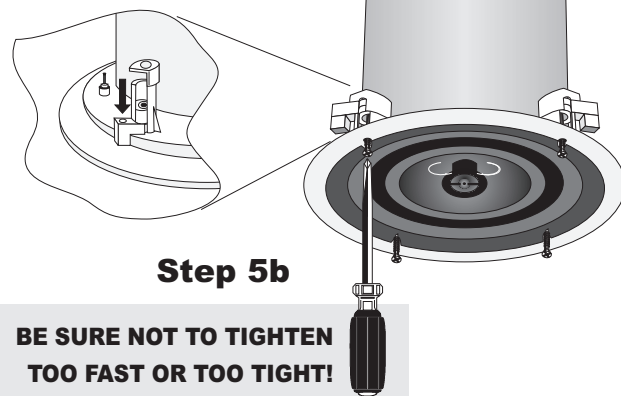


Using a coin or screwdriver, adjust the wattage tap selector switch to desired setting. The selector switch is located to the side of the terminal cover.

Step 5

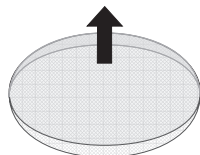


(a) Insert and center the speaker into the ceiling opening. Make sure all four doglegs rest on the C-ring. **(b)** Tighten down the four doglegs by turning the screws, located on the driver side of the baffle, clockwise.



BE SURE NOT TO TIGHTEN TOO FAST OR TOO TIGHT!

Step 6



Insert the metal grille. The grille will friction-mount into place, and is additionally secured with a rubberized compound. Make sure the grille is flush with the speaker bezel.

Posh 5.25 Retro Series Speaker Limited Warranty

WARRANTY PERIOD: 5 (five) years

WHAT IS COVERED. This Warranty covers defects in materials and workmanship only. This Limited Warranty does not extend to: (1) cosmetic damage; (2) damage caused by shipment; (3) damage caused by accident, abuse, misuse, or failure to install the 5.25 Retro Series speakers in a manner as set forth in this Installation Guide; (4) failure resulting from use contrary to that set forth in this Installation Guide.

WHAT YOU MUST DO TO OBTAIN WARRANTY SERVICE. In the event that your speakers require service, call Posh Speaker Systems toll-free at 800-841-8501, Monday through Friday 9am to 5pm Pacific Time, or fax us at 206-842-0494. You will receive instructions on how to return your speakers for warranty service. Initial shipping costs may not be paid by Posh Speaker Systems at our discretion. However, return shipping will be prepaid if repairs are covered by the scope of this Warranty. **Do not send speakers to Posh for repair unless you have first contacted us via telephone or fax.** Posh Speaker Systems shipping address: 7865 NE Day Road West, Building C, Bainbridge Island, WA 98110.

LIMITATIONS OF IMPLIED WARRANTIES. ALL IMPLIED WARRANTIES FOR MERCHANTABILITY AND FITNESS FOR A PARTICULAR PURPOSE ARE LIMITED IN DURATION TO THE WARRANTY PERIOD UNLESS OTHERWISE PROVIDED BY STATE LAW.

EXCLUSION OF CERTAIN DAMAGES.

IN NO EVENT SHALL POSH SPEAKER SYSTEMS, BE LIABLE FOR PROPERTY OR ANY OTHER INCIDENTAL OR CONSEQUENTIAL DAMAGES WHICH MAY RESULT FROM THE FAILURE OF THIS PRODUCT. IF YOUR POSH SPEAKERS PROVE DEFECTIVE IN MATERIAL OR WORKMANSHIP, THE LIABILITY OF POSH SHALL BE LIMITED TO THE REPAIR OR REPLACEMENT, AT THE OPTION OF POSH, OF ANY DEFECTIVE PART.

STATE LAWS MAY DIFFER. SOME STATES DO NOT ALLOW LIMITATION ON HOW LONG AN IMPLIED WARRANTY MAY LAST, AND/OR DO NOT ALLOW THE EXCLUSION OR LIMITATION OF INCIDENTAL OR CONSEQUENTIAL DAMAGES, OR DO NOT ALLOW CERTAIN LIMITATIONS SET FORTH IN THIS WARRANTY, SO THE ABOVE LIMITATIONS MAY NOT APPLY. THIS WARRANTY GIVES YOU SPECIFIC LEGAL RIGHTS, AND YOU MAY HAVE OTHER RIGHTS WHICH VARY FROM STATE TO STATE.

OTHER IMPORTANT PROVISIONS.

Posh Speaker Systems, reserves the right to make changes in design and improvements in its products without the responsibility of installing such changes on products previously sold by Posh.

The preceding warranty is exclusive to the United States, its territories and possessions. Please see your authorized Posh dealer or distributor for the correct warranty information in your area or locale.

*© 2000 Posh Speaker Systems All rights reserved.
Printed in USA.*



7865 NE Day Road West, Building C, Bainbridge Island, WA 98110
Phone: 800-841-8501 • Fax 206-842-0494