

Rough-in bracket for Posh 5.25" ceiling speakers

The rough-in bracket is designed to be mounted directly to 12", 16" or 24" on-center ceiling joists. Attach bracket to joists with nails or sheetrock screws. Make sure that the metal lip on the inside of the ring faces down toward the floor.

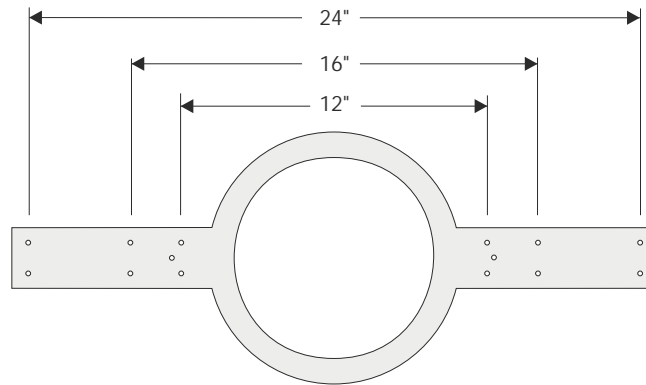


Fig. 1  
Top view of rough-in bracket

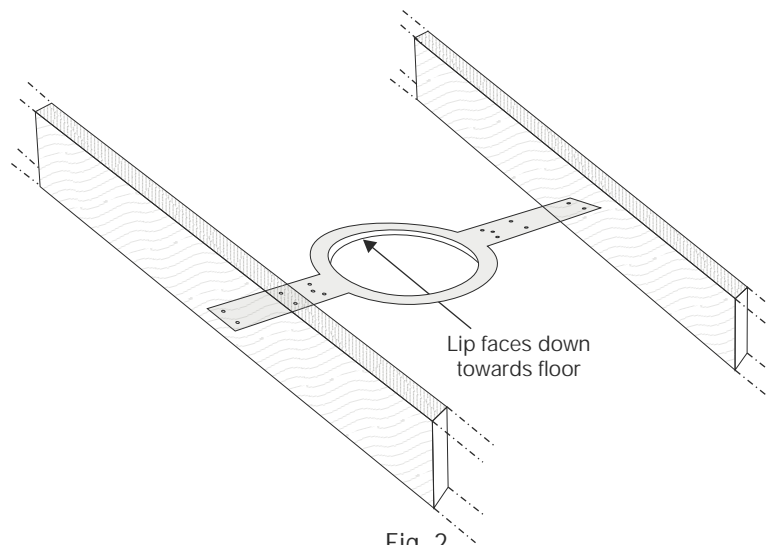
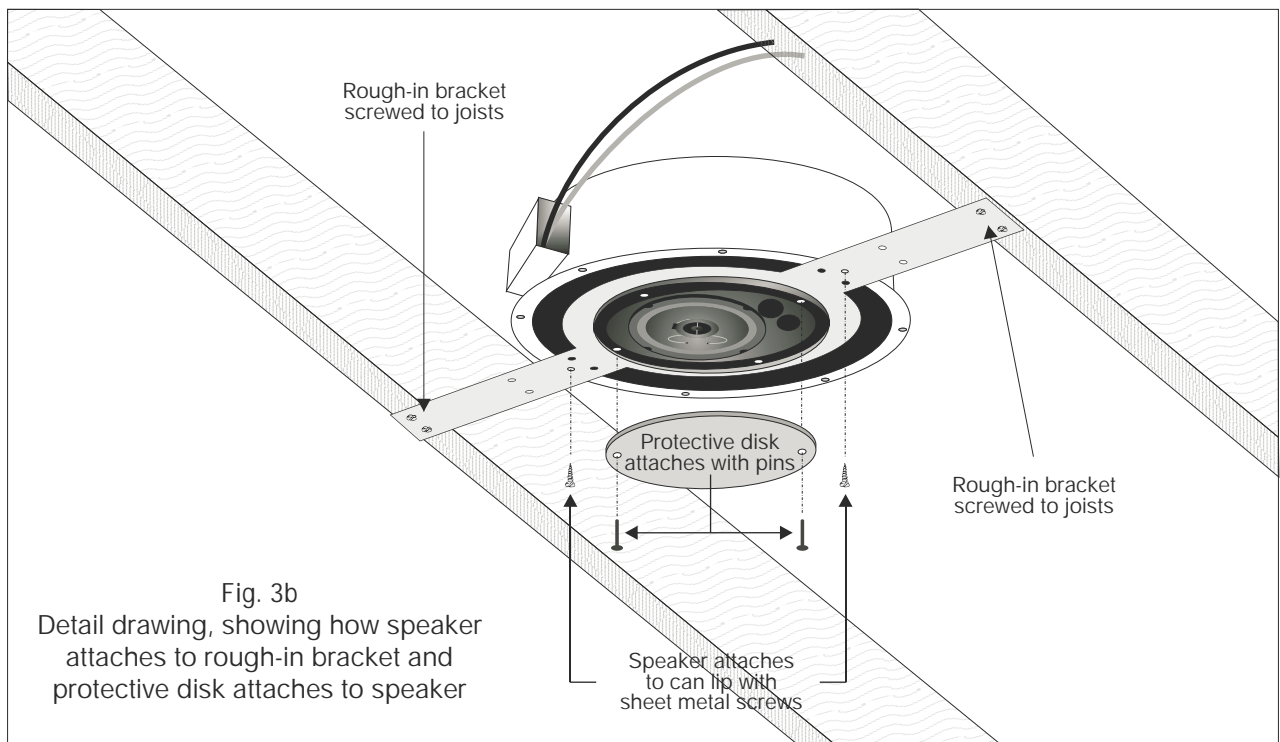
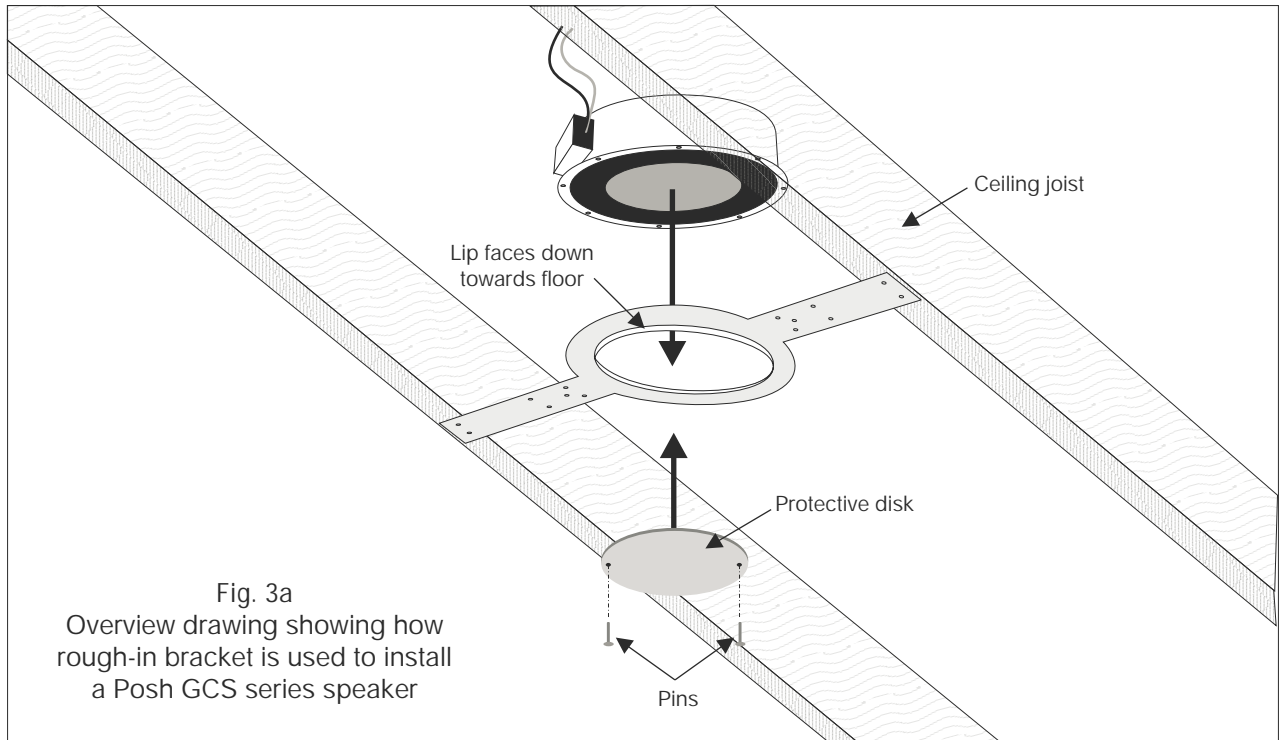


Fig. 2  
Rough-in bracket shown mounted to 24" on-center joists

Posh Speaker Systems.  
7865 NE Day Road West • Bainbridge Island, WA 98110  
Fax: 206.842.0494 • email: [info@poshspeakers.com](mailto:info@poshspeakers.com)

Fig. 3  
Use of rough-in bracket to mount GCS series speaker



NOTE: Global speaker not suitable for 12" on-center.